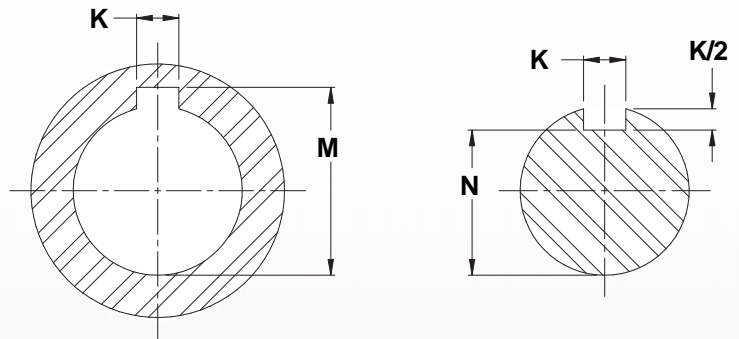


KEYWAY LENGTH REFERENCE GUIDE

LENGTH THROUGH TYPE-B HUBS

- 1/2" bore = 1" long
- 9/16" through 1-1/4" bore = 1-1/4" long
- 1-5/16" through 1-3/4" bore = 1-1/2" long
- 1-13/16" through 2-1/16" = 2" long
- 2-1/8" through 2-1/2" = 2-1/2" long
- 2-9/16" through 4" bore = 3" long



Shaft Dia.	K	M	N
1/2	1/8	.560	.430
9/16	1/8	.623	.493
5/8	3/16	.709	.517
11/16	3/16	.773	.581
3/4	3/16	.837	.644
13/16	3/16	.900	.708
7/8	3/16	.964	.771
15/16	1/4	1.051	.796
1	1/4	1.114	.859
1-1/16	1/4	1.178	.923
1-1/8	1/4	1.241	.989
1-3/16	1/4	1.304	1.049
1-1/4	1/4	1.367	1.112
1-5/16	5/16	1.455	1.137
1-3/8	5/16	1.518	1.201
1-7/16	3/8	1.605	1.225
1-1/2	3/8	1.669	1.289
1-9/16	3/8	1.732	1.352
1-5/8	3/8	1.796	1.416
1-11/16	3/8	1.859	1.479
1-3/4	3/8	1.922	1.542
1-13/16	1/2	2.032	1.527
1-7/8	1/2	2.096	1.591
1-15/16	1/2	2.160	1.655
2	1/2	2.223	1.718
2-1/16	1/2	2.287	1.782
2-1/8	1/2	2.350	1.845
2-3/16	1/2	2.414	1.909
2-1/4	1/2	2.477	1.972
2-5/16	5/8	2.587	1.957

Shaft Dia.	K	M	N
2-3/8	5/8	2.651	2.021
2-7/16	5/8	2.714	2.084
2-1/2	5/8	2.778	2.148
2-5/8	5/8	2.905	2.275
2-3/4	5/8	3.032	2.402
2-7/8	3/4	3.205	2.450
2-15/16	3/4	3.269	2.514
3	3/4	3.332	2.577
3-1/8	3/4	3.459	2.704
3-1/4	3/4	3.586	2.831
3-3/8	7/8	3.760	2.880
3-7/16	7/8	3.823	2.943
3-1/2	7/8	3.887	3.007
3-5/8	7/8	4.014	3.134
3-3/4	7/8	4.141	3.261
3-7/8	1	4.314	3.309
3-15/16	1	4.378	3.373
4	1	4.441	3.536
4-1/4	1	4.695	3.690
4-7/16	1	4.885	3.880
4-1/2	1	4.949	3.994
4-3/4	1-1/4	5.296	4.041
4-15/16	1-1/4	5.487	4.232
5	1-1/4	5.551	4.296
5-1/4	1-1/4	5.805	4.550
5-7/16	1-1/4	5.995	4.740
5-1/2	1-1/4	6.058	4.803
5-3/4	1-1/2	6.405	4.900
5-15/16	1-1/2	6.596	5.091
6	1-1/2	6.660	5.155



PHONE: 941-727-9676
FAX: 941-727-4457